



**CHIEF EXECUTIVE APPROVAL 11/2016**  
*Plumbing and Drainage Act 2002, part 5.*

**Approval**

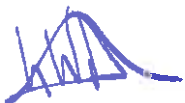
1. The **Clearwater 90 Deluxe** ("the system") described in the Specifications and Drawings in the attached Schedule and manufactured by **Taylex Industries Pty Ltd** ("the manufacturer") (ABN 35 113 453) has been assessed in accordance with the Queensland Plumbing and Wastewater Code (QPW Code) dated 15 January 2013.
2. Approval is granted for the secondary quality wastewater treatment system, subject to compliance by the manufacturer with the requirements of the *Plumbing and Drainage Act 2002*, part 5 and the conditions of approval detailed below.
3. This approval, the conditions of approval and the Schedule comprise the entire Chief Executive Approval document.
4. Any modification by the manufacturer to the design, drawings or specifications scheduled to this approval must be approved by the Chief Executive.

**Conditions of approval**

5. The manufacture, installation, operation, service and maintenance of the systems must be in conformity with the conditions of this Chief Executive Approval.
6. The secondary quality wastewater treatment system may only be used on premises that generate per day:
  - (a) a maximum hydraulic loading of 3000L; and
  - (b) a maximum organic loading of 750g BOD<sub>5</sub>
7. For the system to meet the requirements of a secondary quality wastewater treatment system, the system must produce the following effluent quality —
  - (a) 90% of the samples taken must have a BOD<sub>5</sub> less than or equal 20g/m<sup>3</sup> with no sample greater than 30g/m<sup>3</sup>; and
  - (b) 90% of the samples taken must have total suspended solids less than or equal 30g/m<sup>3</sup> with no sample greater than 45g/m<sup>3</sup>; and
  - (c) 90% of the samples taken must have thermotolerant coliform count not exceeding 200 organisms per 100 mL with no sample exceeding 1000 organisms per 100mL.
  - (d) The total chlorine concentration shall be greater than or equal to 0.5gm<sup>3</sup> and less than 2.0g/m<sup>3</sup> in four out of five samples taken.
8. Each system must be serviced in accordance with the manufacturers details supplied in the owner's service and maintenance manuals.

Department of Housing and Public Works	
<b>Chief Executive Approval</b>	
Approval No:	<u>11/2016</u>
Date of Issue:	<u>22/9/16</u>
Delegate Signature:	<u>[Signature]</u>
Building Codes Queensland	

9. Each system must be supplied with —
- (a) a copy of this Chief Executive Approval document;
  - (b) details of the system and ancillary equipment;
  - (c) instructions for authorised persons for its installation;
  - (d) a copy of the owner's manual to be given to the owner at the time of installation; and
  - (e) detailed instructions for authorised service personal for its operation and maintenance.
10. This approval does not extend, apply to, or include the land application system used in conjunction with an approved system installed on premises.
11. At each anniversary of the Chief Executive Approval date, the manufacturer must submit to the Chief Executive a list of all systems installed in Queensland that they have received an installation and commissioning certificate for during the previous 12 months.
12. Where the Chief Executive is notified of any system failures that are believed to be the result of poor design or faulty manufacture, the Chief Executive may randomly select a number of installed systems for audit. The Chief Executive will notify the National Association of Testing Agencies (NATA) accredited laboratory nominated by the manufacturer, which systems are to be audited for Biochemical Oxygen Demand (BOD<sub>5</sub>) and Total Suspended Solids (TSS). The sampling and testing of the selected systems, if required, is to be done at the manufacturer's expense. The following results must be reported to the Chief Executive;
- (a) Address of premises.
  - (b) Date inspected and sampled.
  - (c) Sample identification number.
  - (d) Biochemical Oxygen Demand (BOD<sub>5</sub>).
  - (e) Total Suspended Solids (TSS).
13. The Chief Executive may, by written notice, cancel this approval if the manufacturer fails — to comply with one or more of the conditions of approval; or within 30 days, to remedy a breach, for which a written notice been given by the Chief Executive.
14. This approval may only be assigned with the prior written consent of the Chief Executive.
15. This approval expires on ~~22~~ September 2021 unless cancelled earlier in accordance with paragraph 13 above.



**Lindsay Walker**  
**Director**  
**Strategic Policy (Plumbing, Drainage, Committees and Special Projects)**

Date approved: ~~22~~ September 2016

Level 16,  
41 George Street Brisbane  
GPO Box 2457, Brisbane Qld 4001  
Telephone +61 7 300 82552  
Facsimile +61 7 323 71248  
Website [www.hpw.qld.gov.au](http://www.hpw.qld.gov.au)

ABN 61 331 950 314


**CHIEF EXECUTIVE APPROVAL No. 11/2016**  
*Plumbing and Drainage Act 2002, part 5, division 1, section 93*

**SCHEDULE**

**Attachment 1**

Specifications for the

**Clearwater 90 Deluxe**

Department of Housing and Public Works	
<b>Chief Executive Approval</b>	
Approval No:	<u>11/2016</u>
Date of Issue:	<u>22/9/16</u>
Delegate Signature:	<u></u>
Building Codes Queensland	

Department of Housing and Public Works  
Chief Executive Approval

Approval No: 11/2016

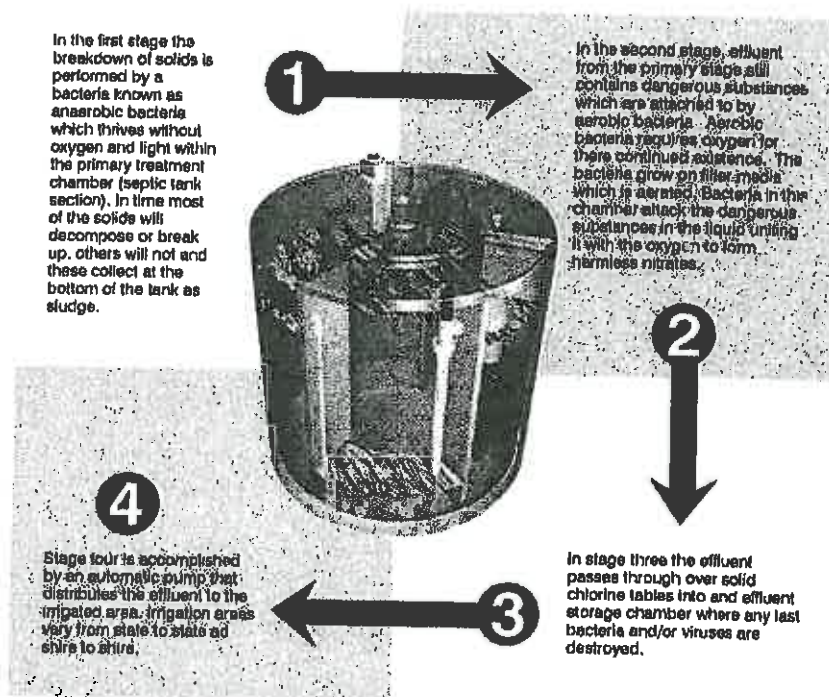
Date of Issue: 22/9/16

Delegate Signature: [Signature]  
Building Codes Queensland

## 12. HOW DOES YOUR TAYLEX SYSTEM ACTUALLY WORK?

There are four stages to a Taylex treatment system.

- 1 Primary anaerobic digestion and sedimentation
- 2 Aerobic biological oxidation of primary effluent
- 3 Chlorination to destroy pathogens (bacteria-viruses)
- 4 Nutrient removals by way of transpiration and evaporation



### Specification – Description of Plant

The Taylex Clearwater 90 Treatment System consists of primary treatment tank directly upstream on a 3500 litre capacity aeration chamber. The aeration chamber is followed by a 1000 litre capacity settling chamber. A chlorine contact chamber and pump well are included as shown on the attached drawing. The aeration chamber is fitted with an electrically operated fine bubble aspirator type aerator. A removable washable/replaceable synthetic filter is installed within the clarifier. Each unit is supplied with a control panel which can be mounted as designated by the Local Government.


**CHIEF EXECUTIVE APPROVAL No. 11/2016**  
*Plumbing and Drainage Act 2002, part 5, division 1, section 93*

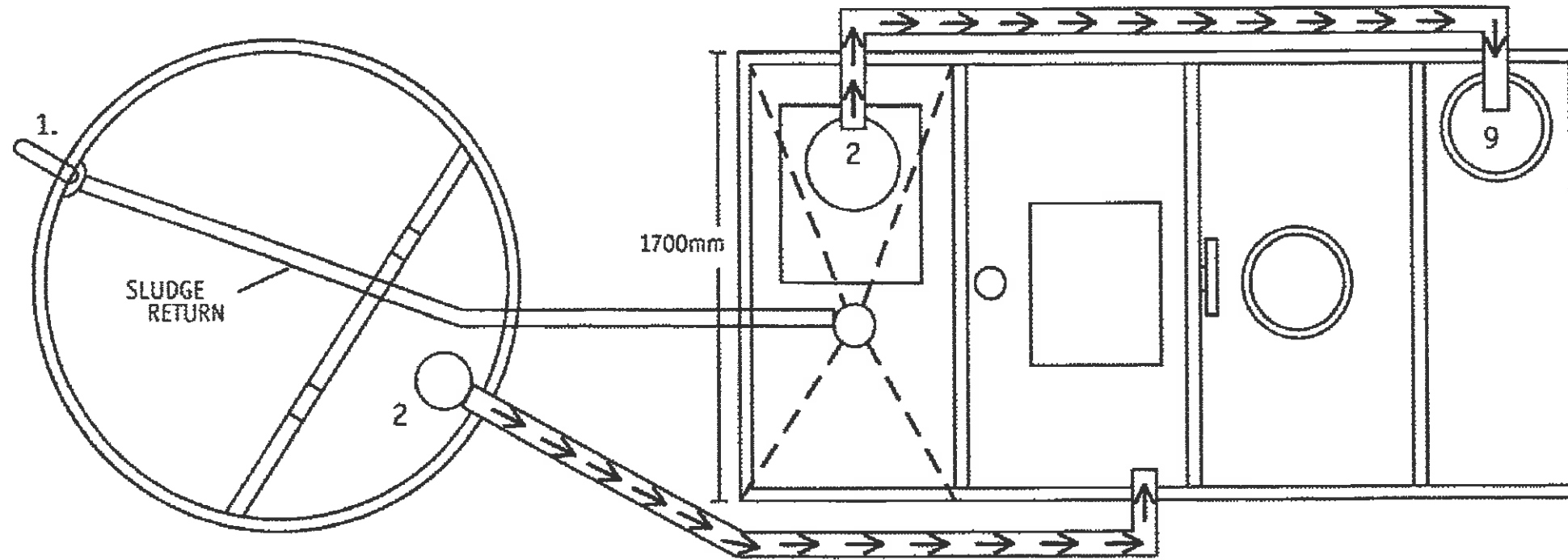
**SCHEDULE**

**Attachment 2**

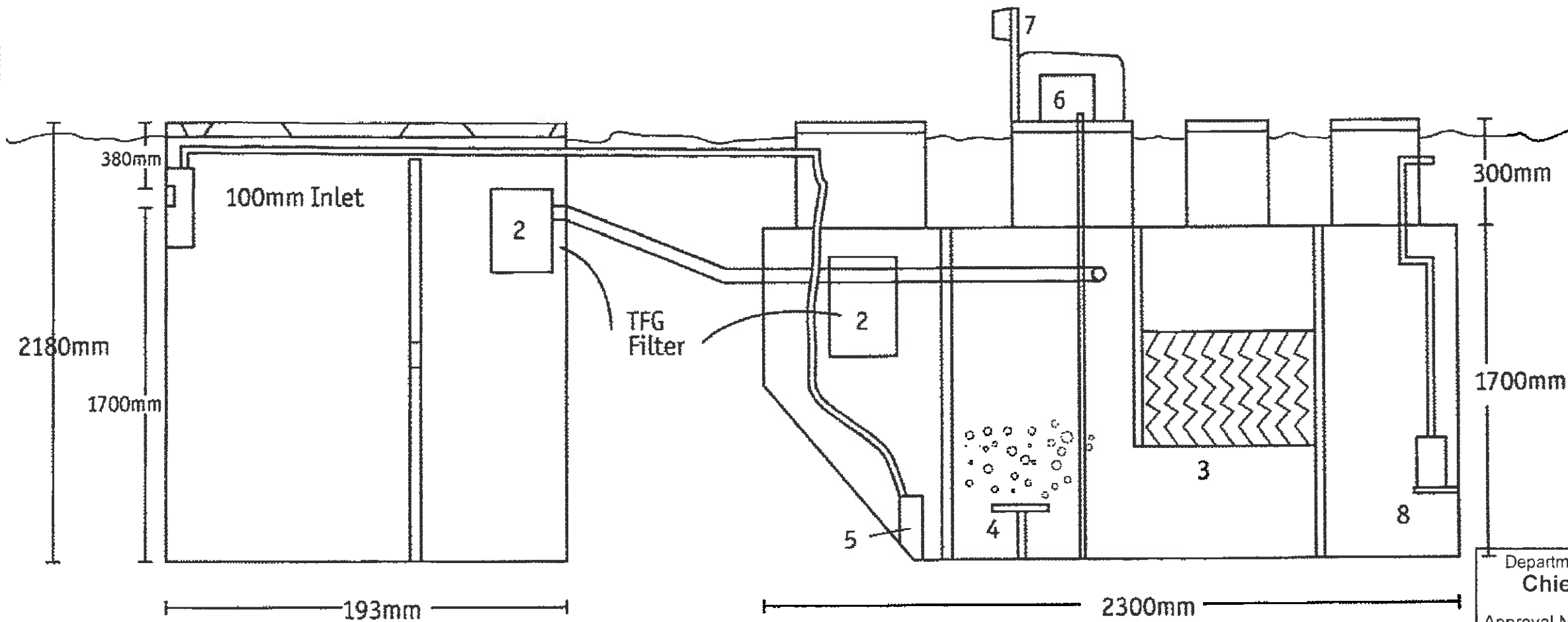
Drawings for the

**Clearwater 90 Deluxe**

Department of Housing and Public Works	
<b>Chief Executive Approval</b>	
Approval No:	<u>11/2016</u>
Date of Issue:	<u>22/9/16</u>
Delegate Signature:	<u></u>
Building Codes Queensland	



1. 100mm Inlet
2. TAYLEX TFS Filter
3. BIO Mass
4. Air Diffuser
5. Sludge Return Pump
6. 80L Nitto Blower
7. DELUXE Controller
8. Irrigation Pump
9. Chlorine Dispenser



Department of Housing and Public Works  
**Chief Executive Approval**  
 Approval No: 11/2016  
 Date of Issue: 22/1/16  
 Delegate Signature: [Signature]  
 Building Codes Queensland

**SECONDARY QUALITY EFFLUENT**

DRAWN D. WILLISHER  
 DATE 13-7-2011

TAYLEX INDUSTRIES  
**3000 L.P.D DELUXE**



Department of Housing and Public Works  
**Chief Executive Approval**  
 Approval No: 11/2016  
 Date of Issue: 22/11/16  
 Delegate Signature: [Signature]  
 Building Codes Queensland

