

Taylex

WASTEWATER

Installation MANUAL

Taylex Ply Advanced Blower System
ABS



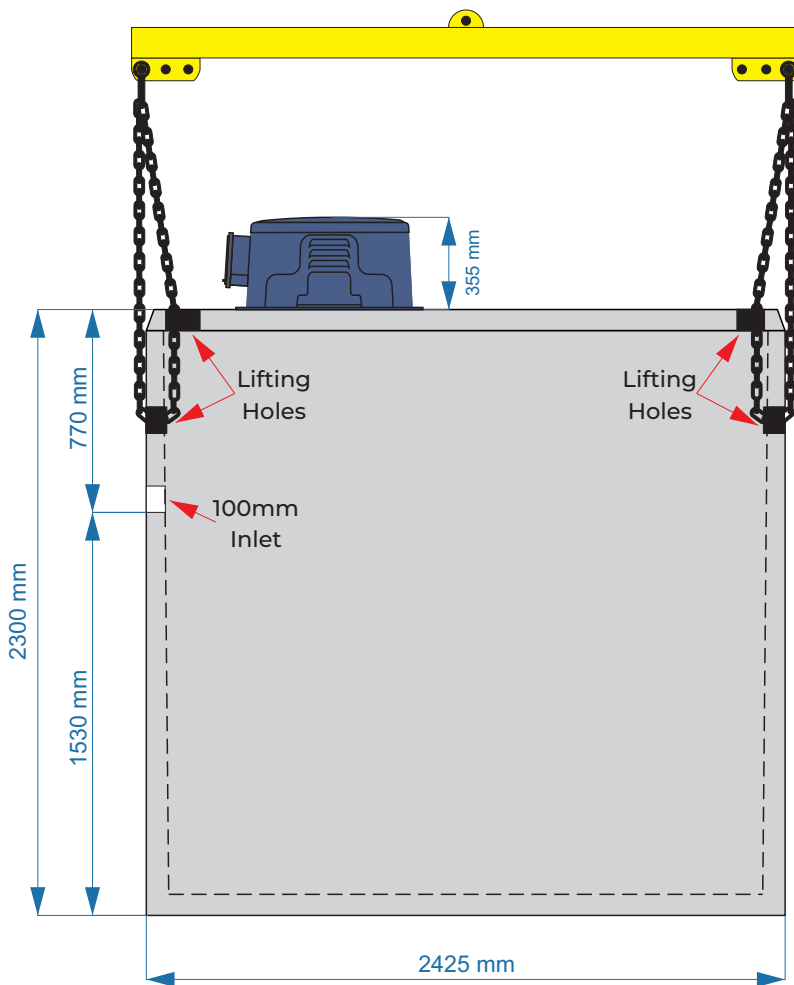
ABS CONCRETE STANDARD Lifting Instructions

Total Mass = 6.25 Tonne

Total Height (with blower box) = 2655mm

Total Width = 2425mm

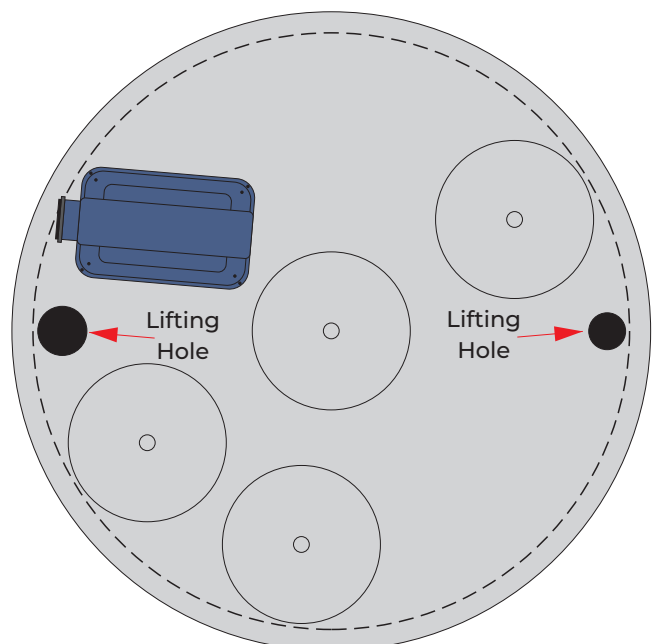
USE ONLY CERTIFIED LIFTING BARS



1. Always use a Spreader Bar and ensure it is certified
2. Lower chains through TOP lifting holes provided in the lid of the ABS
3. Loop chains through the lifting holes directly below on the inside wall of the ABS
4. Steel reinforcing bars have been installed inside the concrete for lifting purposes. Only lift this tank from these holes
5. If you don't use a Spreader Bar, you risk damaging the ABS
6. Ensure the tank is empty before lifting

REACH OF CRANE/ CRANE TRUCK

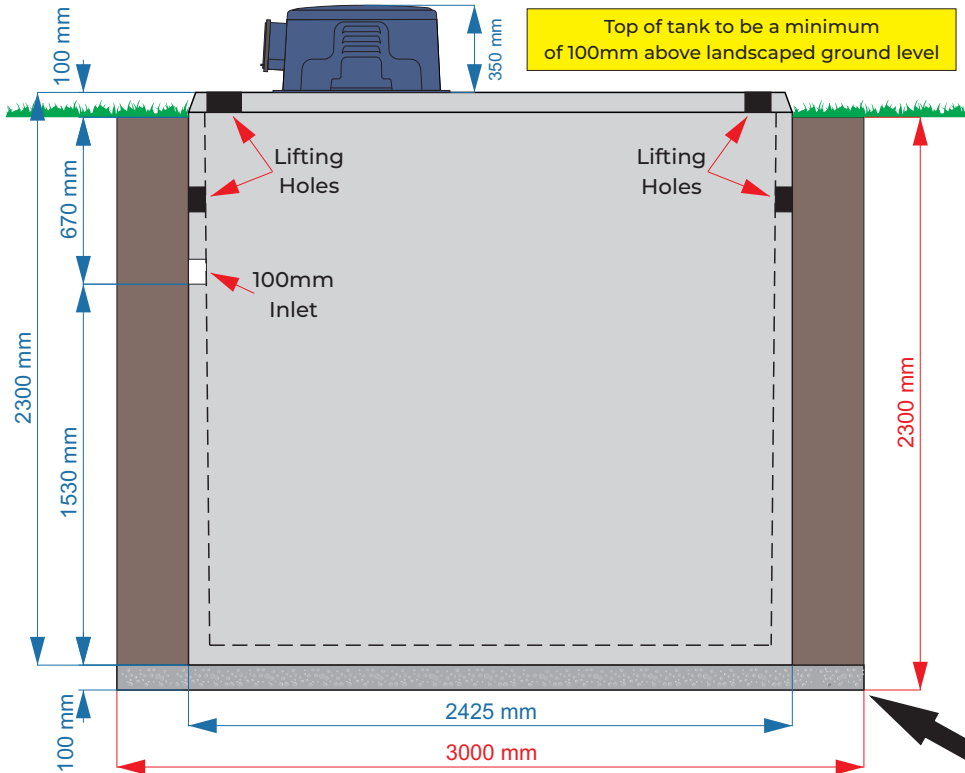
To be determined by your crane/ crane truck operator.





ABS CONCRETE STANDARD Excavation Instructions

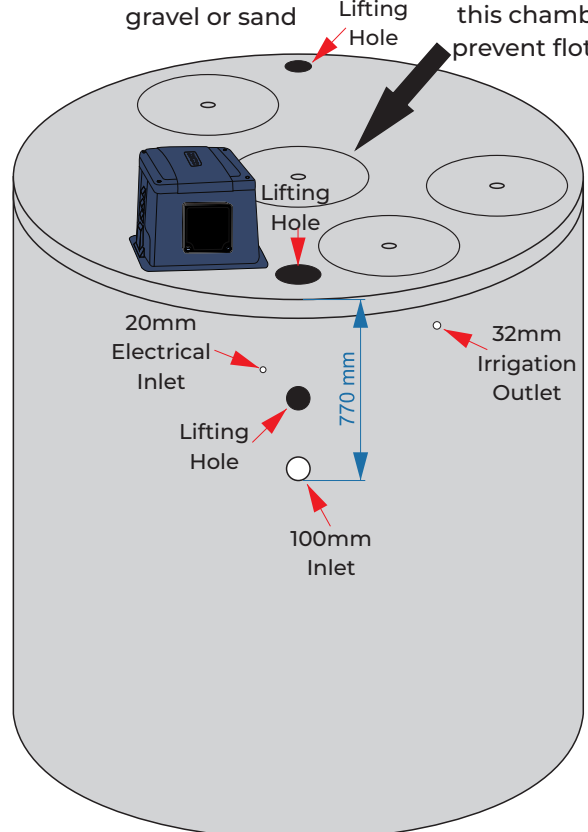
Tank Total Mass = 6.25 Tonne



1. Dig hole 3000mm square & 2300mm Deep
2. Ensure drainage has a 1/60 fall to the inlet of ABS. Risers are available if the tank needs to be installed deeper in the ground to maintain fall
3. Cover base of hole with 100mm of 5mm to 7mm drainage gravel or sand
4. Ensure bottom of hole is level
5. Backfill with soil from Excavation in no more than 500mm equally distributed layers around the tank. Avoid backfilling with rocks over 300mm.
6. To prevent flotation, fill the ABS with 5,000lt of water immediately through hole above the aeration chamber (see diagram below)
7. Ensure top of gravel/sand is 1530mm to bottom of inlet

100mm of 5mm-7mm drainage gravel or sand

Please Note: 5,000lt of water to be placed in this chamber to prevent flotation



ELECTRICIAN
Connect through conduit on side of ABS. Run wire (min 2.5mm) through the flexible conduit provided and up into the switch located in the blower box.
Active - Neutral - Earth.

TRUCK ACCESS
Unloading of ABS via the back of the truck NOT SIDE. Ensure BACK of truck has clear level 6m wide access to the edge of the hole.

REACH OF CRANE/ CRANE TRUCK
To be determined by your crane/ crane truck operator.